

Field Mechanics Manual

60-foot Diamond

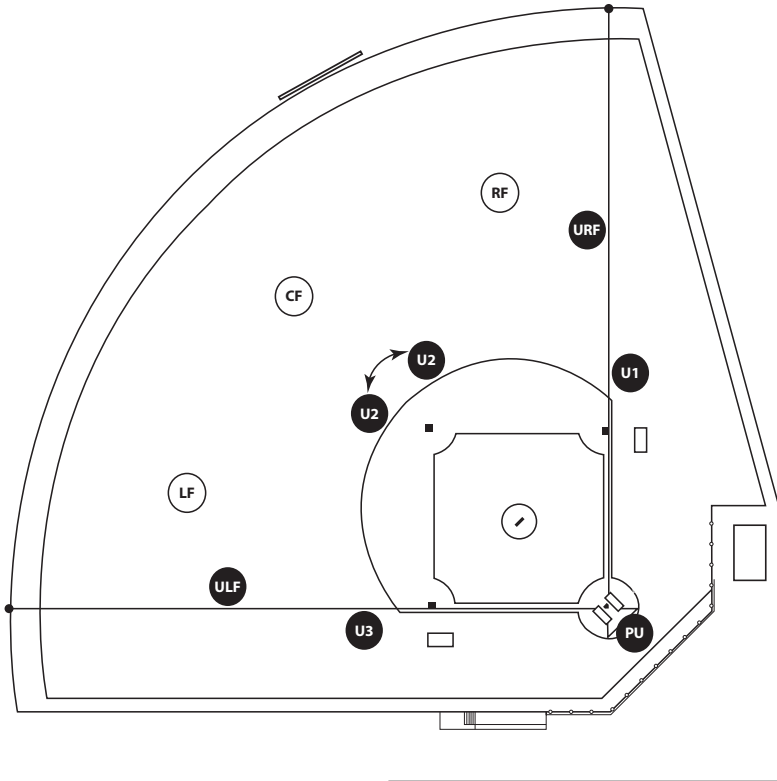
6-Umpire System

Little League® International
Williamsport, Pennsylvania

Starting Positions 1
 -No Runners on Base-..... 1
Fair / Foul Responsibilities 2
Coverage on Trouble Balls 3
Hit to the Infield..... 4
 -No Runners on Base- 4
Clean Hit to the Outfield..... 5
 -No Runners on Base- 5
Clean Hit to the Outfield..... 6
 -Runner(s) on Base-..... 6

Starting Positions

-No Runners on Base-



First Base Umpire (**U1**) will be positioned in the “A Position” 10-12 feet behind first baseman completely in foul territory.

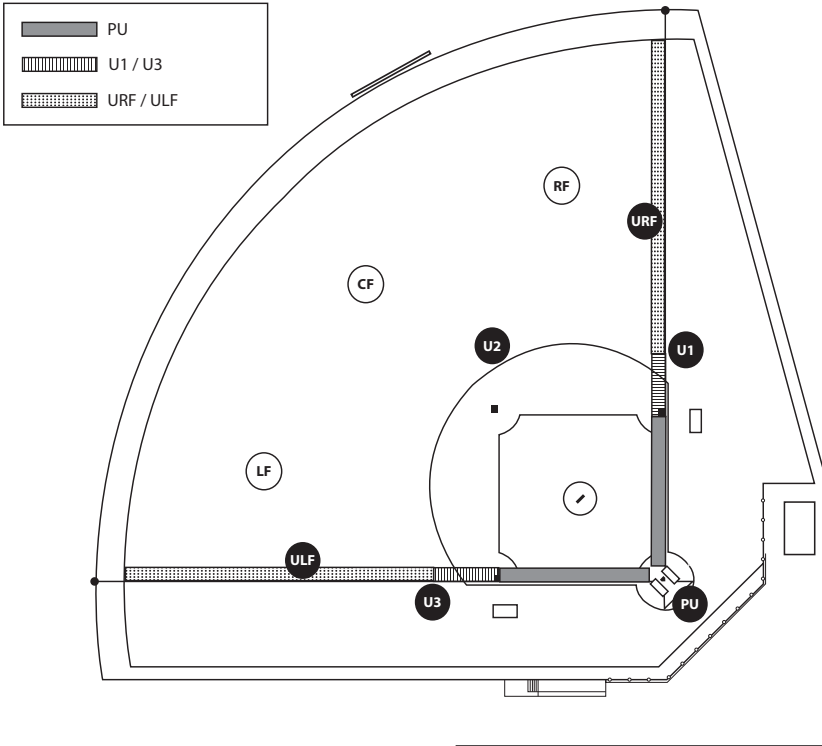
Second Base Umpire (**U2**) will be positioned off of either the first base or third base edge of the pitching mound beyond second base.

Third Base Umpire (**U3**) will be positioned in the “D Position” 10-12 feet behind third baseman completely in foul territory.

Right Field Umpire (**URF**) will be positioned in front of the Right Fielder in fair territory.

Left Field Umpire (**ULF**) will be positioned in front of the Left Fielder in fair territory.

Fair / Foul Responsibilities



PU will have the first and third base lines up to the front edge of the base.

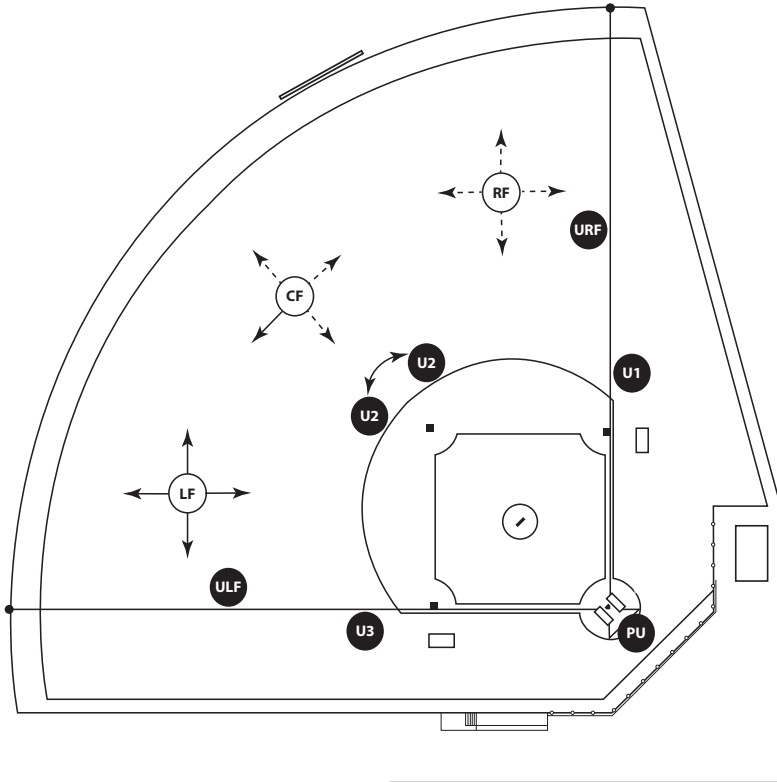
U1 will have the first base line from first base to herself/himself.

U3 will have the third base line from third base to herself/himself.

URF will have the first base line from behind U1 to the foul pole.

ULF will have the third base line from behind U3 to the foul pole.

Coverage on Trouble Balls



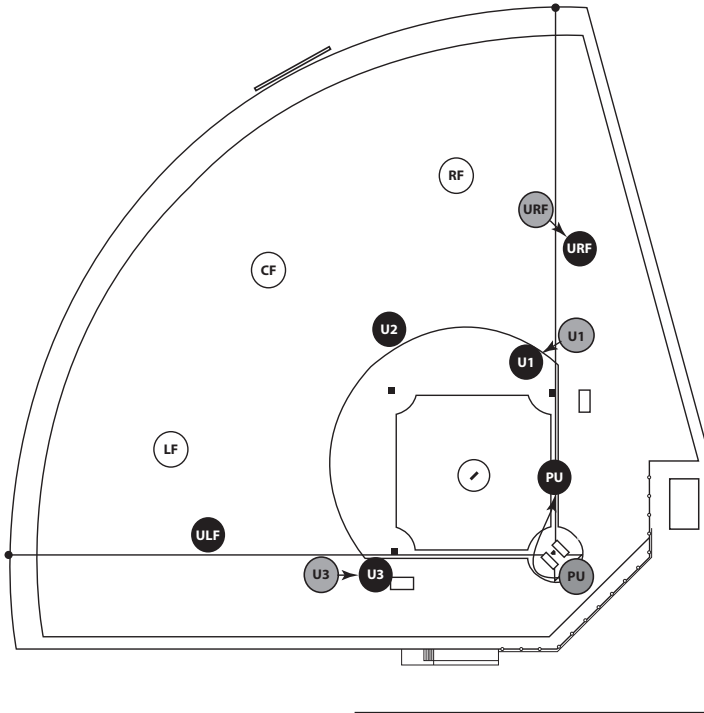
U2 will not go out on any trouble balls.

URF will have the center fielder moving straight in, straight back, and toward the right field foul line and all balls hit to right fielder.

ULF will have the center fielder moving toward the left field foul line and all balls hit to left fielder.

Hit to the Infield

-No Runners on Base-



PU will clear the catcher to the left and trail the batter-runner down the first base line going no further than half-way (start of three-foot running lane.) **PU** will come to a set position prior to the play at first and observe: (1) pulled foot, (2) swipe tag, (3) running lane violation and (4) possible overthrow.

U1 will move into fair territory and establish a 90-degree angle with the infielder making a play on the ball.

U2 observes.

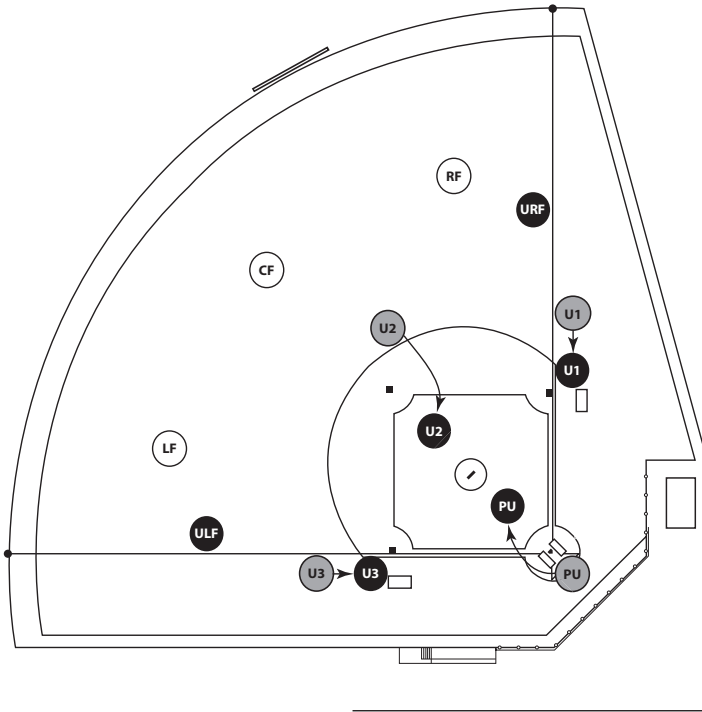
U3 observes.

URF will move towards foul territory to assist with possible overthrow at first base.

ULF will observe.

Clean Hit to the Outfield

-No Runners on Base-



PU will clear the catcher to the left and move into the working area in front of the pitcher's mound in the direction that the ball is hit.

U1 will observe the batter-runner touch first base and have all plays at first base.

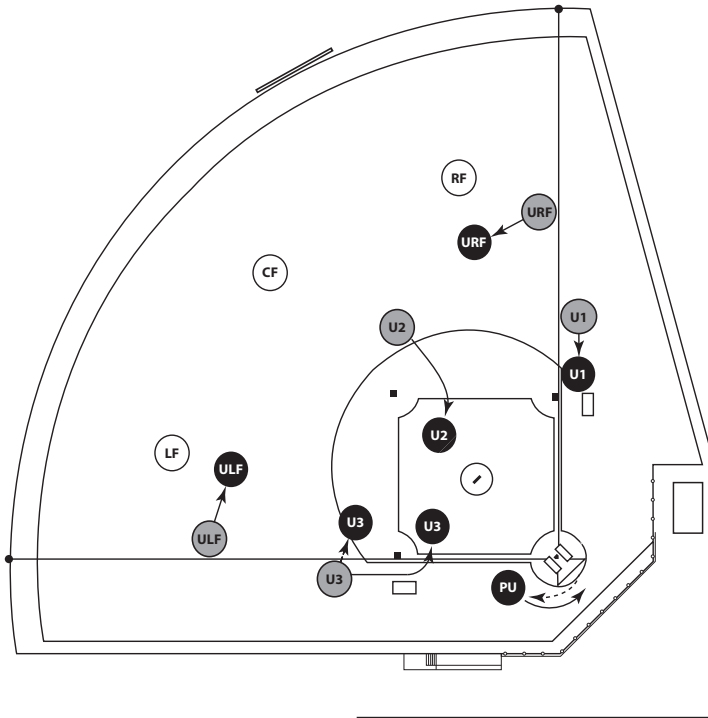
U2 will read the ball and establish an angle to observe touch(es) at second base. When a play is emanate (Fielder, Runner, and ball converge), U2 will pivot into the working area behind the pitcher's mound and prepare for the play at second base.

U3 observes and has any play at third base.

URF observes.

ULF observes.

Clean Hit to the Outfield -Runner(s) on Base-



PU will clear the catcher to the left and move down the third base line in foul territory. PU will then use a series of crossover steps, while maintaining eye contact with the ball, and return to the point of the plate to observe. PU will have all plays at the plate.

U1 will move up the line and observe the touch at first base by the batter-runner and has all plays at first base.

U2 will read the ball and establish an angle to observe touch(es) at second base. When a play is emanate (Fielder, Runner, and ball converge), U2 will pivot into the working area behind the pitcher's mound and prepare for the play at second base.

U3 will move up the line in foul territory and observe the touch(es) at third base. When a play is emanate (Fielder, Runner, and ball converge), U3 will move into fair territory in front of the cut out to make a call. **Note:** There are instances when the cutout will not afford the best view of the play. In those situations, establish an angle in fair territory on the shortstop-side of third base.

URF and **ULF** will observe.